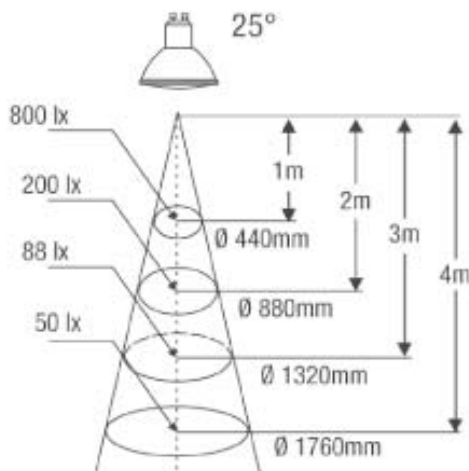


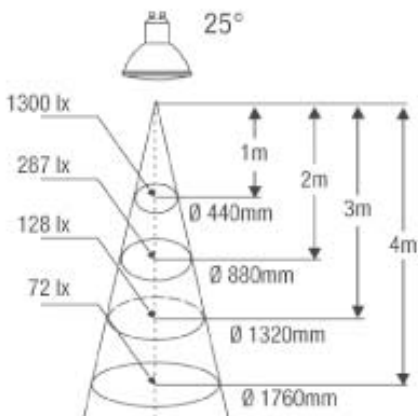


Abstrahlwinkel SYLVANIA GU10 Reflektor

Hi-Spot ES50 - 35W/25°



Hi-Spot ES(D)50 - 50W/25°



Hi-Spot ES(D)50 - 50W/50°

